



PATCO® 1676-68
High Temperature Fineline
Masking Tape

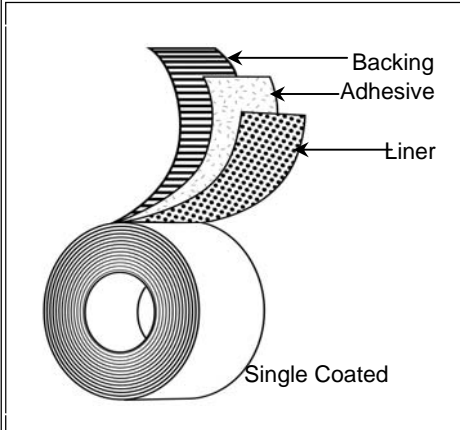
APPLICATIONS

- Masking color separations on plastic (TPO & RIM) automotive fascia, trim and finished metals in high temp OEM bake cycles.
- Aircraft paint operations.
- OEM paint line powerwash cycles.
- Clean room paint operations.

FEATURES & BENEFITS

- Translucent blue for easy application.
- Tough and conformable.
- Waterproof and solvent resistant.
- High temperature resistance.
- Stain and ghosting resistant.
- Repositionable.
- Excellent die-cuttability.
- Printable backing.
- Easy release.

CONSTRUCTION



PRODUCT DESCRIPTION

Single-Coated w/Liner Construction

Backing:

- Polyvinyl Chloride

Adhesive:

- Rubber

Liner:

- 68# Claycoated Kraft Paper

Colors:

- Light Blue Low Gloss

TEST DATA

Test	Typical Value	Typical Value (Metric)	Test Method
Total Thickness	5.5 mils	140 Microns	PSTC-33
Substrate Thickness	4 mils	101 Microns	PSTC-33
Adhesion to Steel	43 oz./in.	0.471 N/mm	ASTM D-3330
Tensile Strength	15 lb./in.	2.627 N/mm	ASTM D-3759
Elongation (%)	115 %		
Application Temperature Range	60°F to 100°F	16°C to 38°C	
Operating Temperature Range	40°F to 280°F	4.4°C to 138°C	

**Recommended storage conditions: 40-60% Humidity, 60 °F - 80 °F

The information presented herein was prepared at BERRY PLASTICS CORPORATION (25 Forge Parkway Franklin, MA 02038) by qualified technical personnel. To Berry's knowledge it is true and accurate. However, the information and recommendations are furnished for these products with the understanding that the purchaser or user, as the case may be, will independently determine that the product is suitable for the intended use, and that such use complies with all applicable federal, state and local laws and regulations. The data are submitted only for the user's information and consideration, and do not constitute a warranty of any kind (including but not limited to a warranty of merchantability or of fitness for a particular purpose), or a representation for which BERRY PLASTICS assumes any legal responsibility.