



PATCO® 168-68
High Temperature PVC Finline
Masking Tape

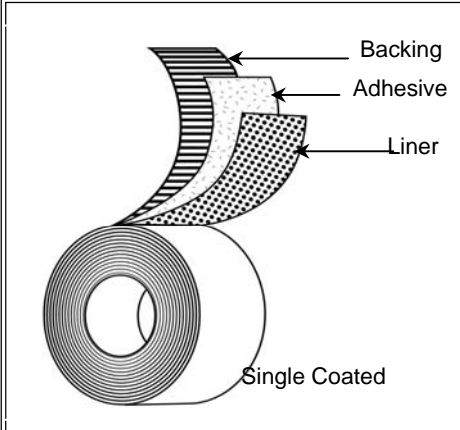
APPLICATIONS

- Automotive OEM fineline and bulk masking (Rim & TPO plastics).
- Automotive metal parts masking.
- Diecut and kiss cut masking shapes.
- Short-term outdoor masking (72 hrs).
- Warm demask recommended after bake cycle.

FEATURES & BENEFITS

- Finline edge.
- Tough and conformable.
- Waterproof and solvent resistant.
- High temperature resistance.
- Stain and ghosting resistant.
- Repositionable.
- Excellent die-cuttability.
- Printable backing.
- Easy release.
- Self-wound product also available.

CONSTRUCTION



PRODUCT DESCRIPTION

Single-Coated w/Liner Construction

Backing:

- Polyvinyl Chloride

Adhesive:

- Rubber

Liner:

- 68# Claycoated Kraft Paper

Colors:

- Blue Gloss

TEST DATA

Test	Typical Value	Typical Value (Metric)	Test Method
Total Thickness	5.0 mils	127 Microns	PSTC-33
Substrate Thickness	3.5 mils	89 Microns	PSTC-33
Adhesion to Steel	35 oz./in.	0.383 N/mm	ASTM D-3330
Tensile Strength	12 lb./in.	2.102 N/mm	ASTM D-3759
Elongation (%)	140 %		
Application Temperature Range	60°F to 120°F	16°C to 49°C	
Operating Temperature Range	50°F to 280°F	10°C to 138°C	

**Recommended storage conditions: 40-60% Humidity, 60 °F - 80 °F

The information presented herein was prepared at BERRY PLASTICS CORPORATION (25 Forge Parkway Franklin, MA 02038) by qualified technical personnel. To Berry's knowledge it is true and accurate. However, the information and recommendations are furnished for these products with the understanding that the purchaser or user, as the case may be, will independently determine that the product is suitable for the intended use, and that such use complies with all applicable federal, state and local laws and regulations. The data are submitted only for the user's information and consideration, and do not constitute a warranty of any kind (including but not limited to a warranty of merchantability or of fitness for a particular purpose), or a representation for which BERRY PLASTICS assumes any legal responsibility.