



324A

cold weather



NASHUA® 324A
 UL181 A & B-FX Approved
 Cold weather Premium Foil Tape

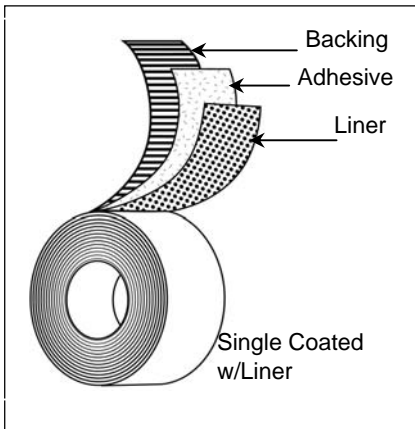
APPLICATIONS

- Recommended for use on UL listed fiberglass duct board and flexible duct systems in accordance with manufacturer's installation instructions
- Ideal for permanent, flexible seals
- Meets UL 181A-P standards for use on fiberglass duct closure systems and UL 181B-FX standards for use on flexible duct closure systems

FEATURES & BENEFITS

- UL 181A-P and UL 181B-FX Listed
- High performance aggressive acrylic adhesive.
- New eco-friendly release liner made from unbleached natural kraft paper.
- Excellent adhesion to duct board.
- Provides long-term anchorage and strong cohesive bond for long-term durability.
- Superior adhesion even at extremely low or high temperatures.
- Complies with VOC requirements of SCAQMD Rule 1168
- **Contributes toward satisfying EA Credit 1 (Optimize Energy Performance) and EQ Credit 4.1 (Low Emitting Materials, Adhesives & Sealants) under LEED®.**

CONSTRUCTION



PRODUCT DESCRIPTION

Single-Coated w/Liner Construction

Backing:

- Aluminum Foil - Printed

Adhesive:

- Acrylic

Liner:

- Unbleached Natural Kraft

Colors:

- Aluminum

TEST DATA

Test	Typical Value	Typical Value (Metric)	Test Method
Total Thickness	4.8 mils	121.92 μ	ASTM D-1000
Adhesion to Steel	68 oz./in.	7.44 N/cm	PSTC-1
Adhesion to Backing	60 oz./in.	6.57 N/cm	PSTC-1
Tensile Strength	23 lb./in.	40.28 N/cm	ASTM D-1000
Probe Tack	700 oz./in.	1225.89 N/cm	
Operating Temperature Range	-20F To 325F	-29C To 163C	
Installation Temperature Range	-10F To 200F	4C To 93C	
Flame Spread	3		UL 723
Smoke Developed	0		UL 723
VOC Content	<30 g/l		

Recommended storage conditions: 40-60% Humidity, 60°F-80°F

**Products are not reviewed or certified under the LEED® Rating System. LEED® credit requirements cover the performance of materials in aggregate, not the performance of individual products or brands. For more information on LEED, visit www.usgbc.org/leed.

The information presented herein was prepared at BERRY PLASTICS CORPORATION (25 Forge Parkway Franklin, MA 02038) by qualified technical personnel. To Berry Plastics' knowledge it is true and accurate. However, the information and recommendations are furnished for these products with the understanding that the purchaser or user, as the case may be, will independently determine that the product is suitable for the intended use, and that such use complies with all applicable federal, state and local laws and regulations. The data are submitted only for the user's information and consideration, and do not constitute a warranty of any kind (including but not limited to a warranty of merchantability or of fitness for a particular purpose), or a representation for which BERRY PLASTICS assumes any legal responsibility.



25 Forge Pkwy Franklin, MA 02038
 1-800-343-7875 Fax 1-800-328-4822
www.berryplastics.com

Nijverheidsstraat 10
 2260 Oevel (Westerlo) Belgium
 32-014-722500 Fax 32-014-722570
 4/27/2010