



POLYKEN® 332
 Economy Grade Aluminum Foil
 Tape

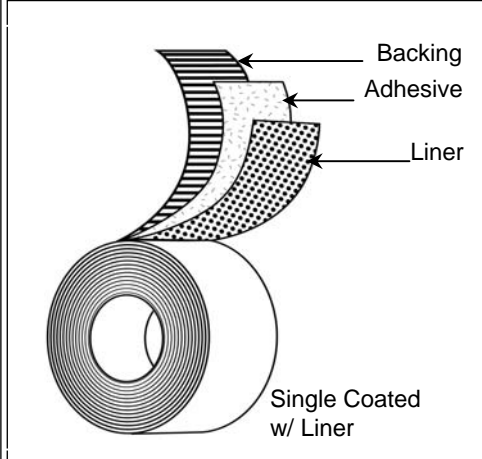
APPLICATIONS

- Designed for taping joints and seams against moisture and vapor on foil jacketed insulation.
- May be used for general repair and maintenance.
- Seal duct work for heating, A/C, and refrigeration systems.

FEATURES & BENEFITS

- High adhesion and quick stick.
- Extremely conformable foil backing matches aluminum foil-faced duct systems and insulation.
- New eco-friendly release liner made from unbleached natural kraft paper.
- For use over a wide temperature range.
- Tested in accordance with UL 723.
- Complies with VOC requirements of SCAQMD Rule 1168
- **Contributes toward satisfying EA Credit 1 (Optimize Energy Performance) and EQ Credit 4.1 (Low Emitting Materials, Adhesives & Sealants) under LEED®.**

CONSTRUCTION



PRODUCT DESCRIPTION

Single-Coated w/Liner Construction

Backing:

- 1.5 mil Aluminum Foil

Adhesive:

- Synthetic Rubber

Liner:

- Unbleached Natural Kraft Paper

Colors:

- Aluminum

TEST DATA

Test	Typical Value	Typical Value (Metric)	Test Method
Total Thickness	3.2 mils	81.28 μ	ASTM D-1000
Adhesion to Steel	75 oz./in.	8.21 N/cm	PSTC-1
Adhesion to Backing	65 oz./in.	7.11 N/cm	PSTC-1
Tensile Strength	11 lb./in.	19.26 N/cm	ASTM D-1000
Probe Tack	900g		
Maximum Performance Temperature	200F		
Flame Spread	10		
Smoke Developed	0		
VOC Content	<1 g/l		

Recommended storage conditions: 40-60% Humidity, 60°F-80°F

**Products are not reviewed or certified under the LEED® Rating System. LEED® credit requirements cover the performance of materials in aggregate, not the performance of individual products or brands. For more information on LEED®, visit www.usgbc.org/leed.

The information presented herein was prepared at BERRY PLASTICS CORPORATION (25 Forge Parkway Franklin, MA 02038) by qualified technical personnel. Berry Plastics' knowledge it is true and accurate. However, the information and recommendations are furnished for these products with the understanding that purchaser or user, as the case may be, will independently determine that the product is suitable for the intended use, and that such use complies with all applicable federal, state and local laws and regulations. The data are submitted only for the user's information and consideration, and do not constitute a warranty of any kind (including but not limited to a warranty of merchantability or of fitness for a particular purpose), or a representation for which BERRY PLASTICS assumes any liability or responsibility.