



POLYKEN® 360-17
 Printed Waterproofing/Repair Tape

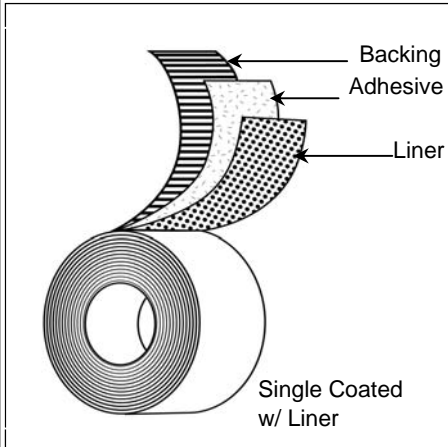
APPLICATIONS

- Indoor/Outdoor sealing of low, medium, and high pressure HVAC systems (includes: sheet metal duct, fiberglass duct board, and flexible duct systems.)
- Seal cracks and seams in gutters, roof alleys, eaves, hips, and ridges.
- Seal around chimney and vent stacks.
- Seal leaks in vans, cars, and trucks.
- Repair gouges, rips, tears in metal panels of trailers, shipping containers, and metal buildings.

FEATURES & BENEFITS

- Application temperature from 20°F-200°F.
- Forms a permanent seal.
- Heavy-duty all-weather foil.
- Excellent adhesion to all surfaces.
- Extremely conformable.
- Paintable 2mil foil backing (use in place of caulk).
- Provides instant water-tight seal.
- Non-staining adhesive.
- Excellent resistance to cold, heat, water, and sunlight.
- Tested in accordance with UL 723.
- Printed for easy identification.
- PE release liner provides ease of installation.
- Complies with VOC requirements of SCAQMD Rule 1168
- **Contributes toward satisfying EA Credit 1 (Optimize Energy Performance) and EQ Credit 4.1 (Low Emitting Materials Adhesives & Sealants) under LEED®.**

CONSTRUCTION



PRODUCT DESCRIPTION

Single-Coated w/Liner Construction

Backing:

- 2 mil Aluminum Foil - Printed

Adhesive:

- Butyl Rubber

Liner:

- LDPE

Colors:

- Aluminum

TEST DATA

Test	Typical Value	Typical Value (Metric)	Test Method
Total Thickness	17 mils	431.80 μ	ASTM D 1000
Adhesion to Steel	200 oz./in.	21.89 N/cm	PSTC-1
Mastic Thickness	15 mils	1.64 N/cm	ASTM D 1000
Tensile Strength	20 lb./in.	35.03 N/cm	ASTM D 1000
Maximum Performance Temperature	200 F		
Flame Spread	5		
Smoke Developed	0		
VOC Content	0 g/l		

Recommended storage conditions: 40-60% Humidity, 60°F-80°F

**Products are not reviewed or certified under the LEED® Rating System. LEED® credit requirements cover the performance of materials in aggregate, not the performance of individual products or brands. For more information on LEED®, visit www.usgbc.org/leed.

The information presented herein was prepared at BERRY PLASTICS CORPORATION (25 Forge Parkway Franklin, MA 02038) by qualified technical personnel. Berry Plastics' knowledge it is true and accurate. However, the information and recommendations are furnished for these products with the understanding that the purchaser or user, as the case may be, will independently determine that the product is suitable for the intended use, and that such use complies with all applicable federal, state and local laws and regulations. The data are submitted only for the user's information and consideration, and do not constitute a warranty of any kind (including but not limited to a warranty of merchantability or of fitness for a particular purpose), or a representation for which BERRY PLASTICS assumes any legal responsibility.