



**NASHUA® 394**  
Economy Grade Duct Tape

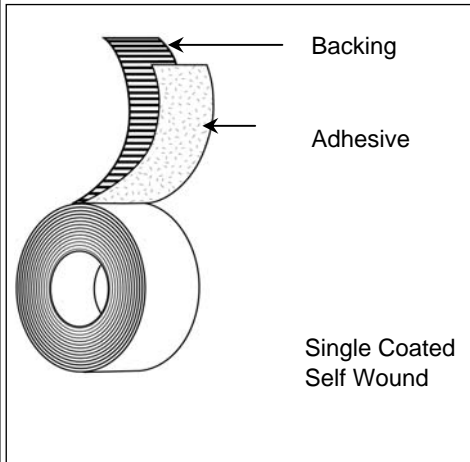
**APPLICATIONS**

- Home and general repair.
- Bundling, patching, and mending.

**FEATURES & BENEFITS**

- Versatile PE-coated cloth tape.
- Conforms well to irregular surfaces.
- Adheres well to a variety of substrates.
- Tears straight, hangs straight, curl resistant.
- **Contributes toward satisfying EQ Credit 4.1 (Low Emitting Materials Adhesives & Sealants) under LEED®.**

**CONSTRUCTION**



**PRODUCT DESCRIPTION**

**Single-Coated Construction**

**Backing:**

- Polyethylene Coated Cloth

**Adhesive:**

- Rubber

**Colors:**

- Silver

**TEST DATA**

Test	Typical Value	Typical Value (Metric)	Test Method
Total Thickness	8.5 mils	215.90 μ	ASTM D 1000
Adhesion to Steel	40 oz./in.	4.38 N/cm	PSTC-1
Adhesion to Backing	35 oz./in.	3.83 N/cm	PSTC-1
Tensile Strength	19 lb./in.	33.27 N/cm	ASTM D 1000
Tack (Rolling Ball)	1.25"		
Maximum Performance Temperature	200 F		
VOC Content	<1 g/L		

**Recommended storage conditions: 40-60% Humidity, 60°F-80°F**

\*\*Products are not reviewed or certified under the LEED® Rating System. LEED® credit requirements cover the performance of materials in aggregate, not the performance of individual products or brands. For more information on LEED®, visit [www.usgbc.org/leed](http://www.usgbc.org/leed).

The information presented herein was prepared at BERRY PLASTICS CORPORATION (25 Forge Parkway Franklin, MA 02038) by qualified technical person. To Berry Plastics' knowledge it is true and accurate. However, the information and recommendations are furnished for these products with the understanding the purchaser or user, as the case may be, will independently determine that the product is suitable for the intended use, and that such use complies with all applicable federal, state and local laws and regulations. The data are submitted only for the user's information and consideration, and do not constitute a warranty of any kind (including but not limited to a warranty of merchantability or of fitness for a particular purpose), or a representation for which BERRY PLASTICS assumes any legal responsibility.