

Extreme Weather Foil Tape

Designed to provide high performance in extreme weather conditions



Specially formulated acrylic adhesive performs well at operating temperatures ranging from -35°F to 260°F. Excellent resistance to UV exposure, mold, humidity, and extreme temperatures. Low-VOC product contributes toward satisfying EA and IEQ credits under LEED®.

Re-Order #	Description/Color	Size	RL/CA	CA/Pallet	UPC
330012	330X Aluminum	48mm x 46M	24	27	742366008213
330013	330X Aluminum	2.5in x 50Yd	20	27	742366008220
330014	330X Aluminum	72mm x 46M	16	27	742366008237

1/09

POLYKEN®



330X



POLYKEN® 330X Extreme Weather Foil Tape

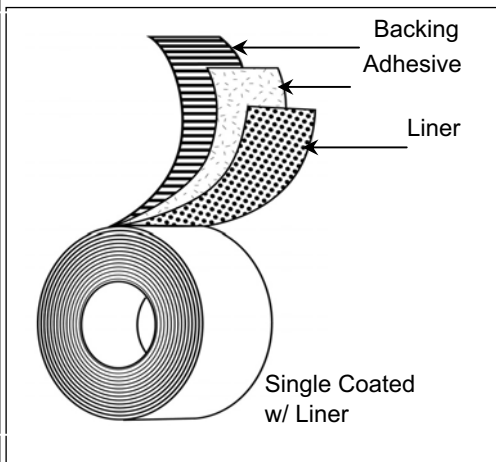
APPLICATIONS

- Designed for taping joints and seams in duct work for heating, A/C, and refrigeration systems
- Specifically intended for use over a wide temperature range
- Suitable for general repairs and a variety of insulation uses

FEATURES & BENEFITS

- High performance acrylic adhesive
- Excellent performance over a wide temperature range
- High adhesion and quick stick
- Extremely conformable foil backing
- Complies with VOC requirements of SCAQMD Rule 1168
- **Contributes toward satisfying EA (Energy & Atmosphere) and IEQ (Indoor Environmental Quality) credits under LEED®.****

CONSTRUCTION



PRODUCT DESCRIPTION

Single-Coated w/Liner Construction

Backing:

- 1.75 mil Aluminum Foil

Adhesive:

- Extreme Weather Acrylic

Liner:

- Paper

Colors:

- Aluminum

TEST DATA

Test	Typical Value	Typical Value (Metric)	Test Method
Total Thickness	3.5 mils	88.90 μ	ASTM D-1000
Adhesion to Steel	55 oz./in.	6.02 N/cm	PSTC-1
Adhesion to Backing	40 oz./in.	4.38 N/cm	PSTC-1
Tensile Strength	14 lb./in.	24.52 N/cm	ASTM D-1000
Working Temperature Range	-35°F to 260°F	-37°C to 126°C	
Minimum Application Temperature	-25°F	-32°C	
VOC Content	<30 g/l		

Recommended storage conditions: 40-60% Humidity, 60°F-80°F

**Products are not reviewed or certified under the LEED® Rating System. LEED® credit requirements cover the performance of materials in aggregate, not the performance of individual products or brands. For more information on LEED®, visit www.usgbc.org/leed.

The information presented herein was prepared at BERRY PLASTICS CORPORATION (25 Forge Parkway Franklin, MA 02038) by qualified technical personnel. Berry's knowledge is true and accurate. However, the information and recommendations are furnished for these products with the understanding that the purchaser or user, as the case may be, will independently determine that the product is suitable for the intended use, and that such use complies with all applicable federal, state and local laws and regulations. The data are submitted only for the user's information and consideration, and do not constitute a warranty of any kind (including but not limited to a warranty of merchantability or of fitness for a particular purpose), or a representation for which BERRY PLASTICS assumes any liability.